
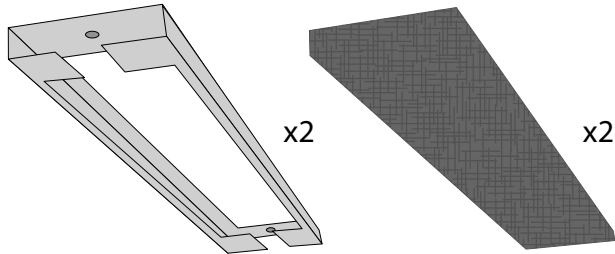


NetShelter™ CX Accessories Installation Instructions

AR4701

 x4

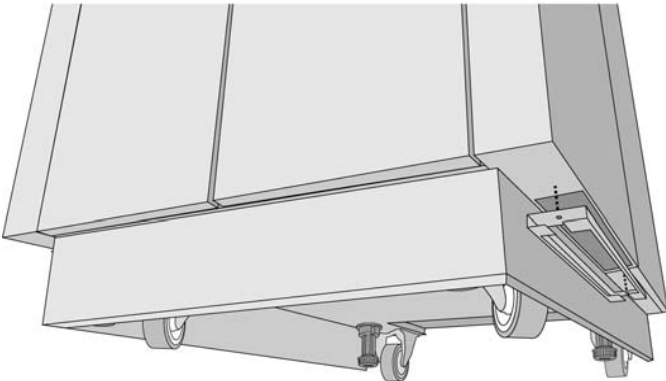
Inventory



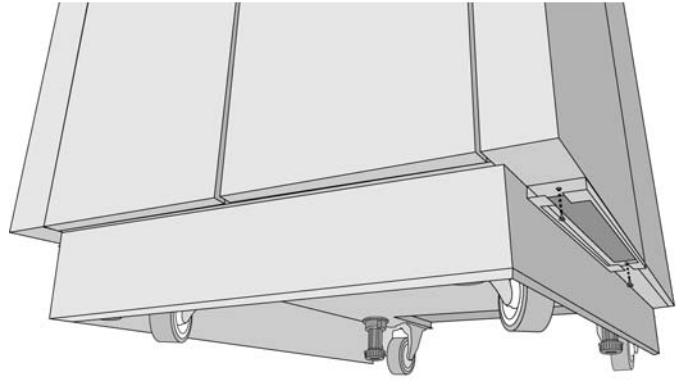
Important

Remember to regularly clean your dustfilters to prevent build-up of dust. Remove the dustfilter foam from the frame and wash it with warm water under a running tap.

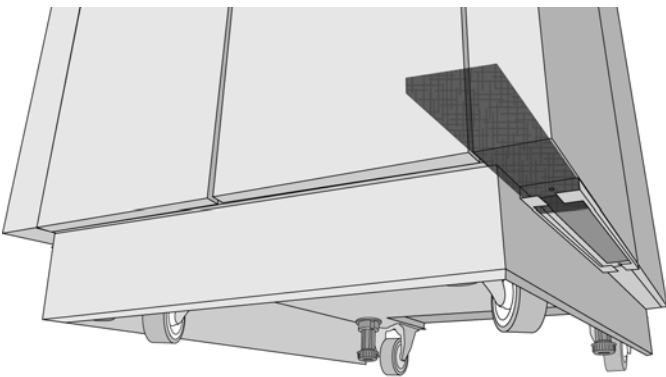
Installation AR4701



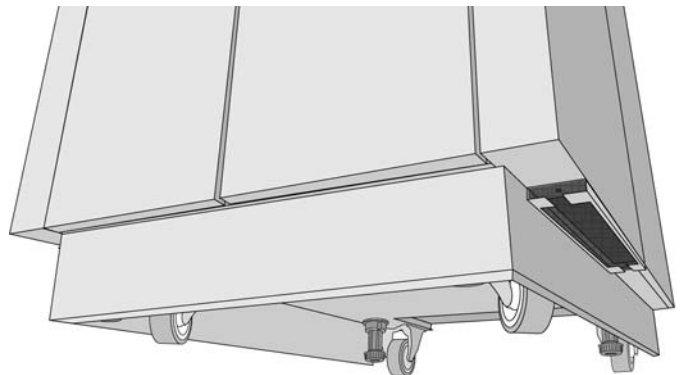
Align the opening in the metal frame with the air intake apertures on the undersides of the sidepods.



Fix the frames into place using the screws provided.



Slot the dustfilter foam into the front of the frame.



Slide the foam all the way into place, ensuring all of the aperture is covered.

Customer support and warranty information is available at the APC Web site, www.apc.com.